

LED SLIM RECESSED ROUND DOWNLIGHT

Product Features

Thermal Conductive Plastic Coated
 Aluminum Housing
 V-0 Flame rating
 Integrated design, built-in Driver
 Class II Electrical protection
 L70 - 30,000Hrs
 CE , CB, ROHS ErP certified product

Application

Offices
 Classrooms
 Hall ways
 Luxurious Hotels
 Supermarkets

Advantages

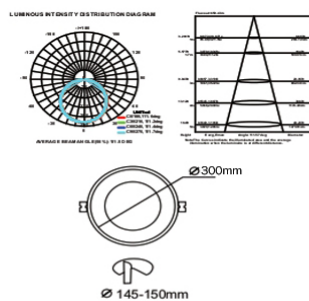
80% Energy Saving
 Environmentally Safe
 Less Heat produced
 Innovative ,
 Easy installation and long Life



TECHNICAL DATA

Product Code	RL 30W-RR	RL 20W-RR
Power	24W	18W
Voltage	220-240V AC	220-240V AC
Luminous Flux	1920 Lm	1450 Lm
Efficacy	65 Lm/W	65 Lm/W
Energy efficiency	A+	A+
Net weight	0.215 Kg	0.34 Kg
CRI	> 80	> 80
Beam angle	160°	160°
Operating temperature	-20 °C to +40 °C	-20 °C to +40 °C
Storage temperature	Up to 50°C	Up to 50°C
Body Material	Aluminium & Plastic body	Aluminium & Plastic body
CCT	3000K / 6500K	3000K / 6500K
IP	44	44
Dimmable	No	No
Life Time	30,000Hrs	30,000Hrs
Cover	Frosted Diffuser	Frosted Diffuser
Finishing color	White	White
Mounting	Recessed	Recessed
Size in mm (LXWXH)	300x31	220X31

RL 30W-RR



RL 20W-RR

